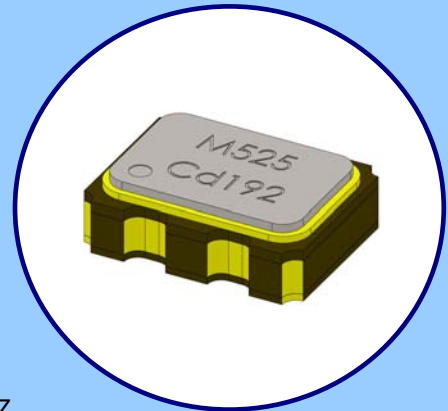


**FEATURES**

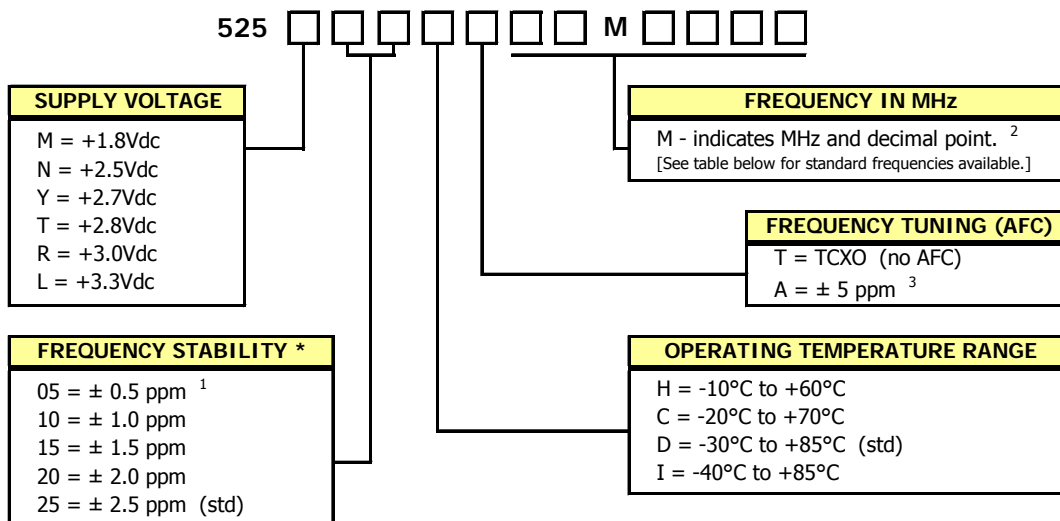
- **Clipped Sine Wave Output**
- **Optional Voltage Control for Frequency Tuning [VCTCXO]**
- 3.2mmx2.5mm Surface Mount Package
- Frequency Range 10 – 40 MHz [Standard Frequencies List Shown Below]
- Fundamental Crystal Design
- Frequency Stability, several options to choose from  $\pm 0.5\text{ppm} \sim \pm 2.5\text{ppm}$
- Operating Voltage, +1.8Vdc  $\sim$  +3.3Vdc
- Operating Temperature to -40°C to +85°C
- Tape & Reel Packaging Available
- **RoHS/Green Compliant (6/6)**



**APPLICATIONS**

The Model 525 Temperature Compensated Crystal Oscillator (TCXO) is a quartz based, clipped sine wave output, digital temperature compensated oscillator with optional frequency tuning, in a hermetically sealed ceramic package. M525 is suitable for wireless communications, broadband access, WLAN/WiMax/WIFI, portable equipment, test and measurement and mobile applications.

**ORDERING INFORMATION**



\* Frequency vs. Temperature Only

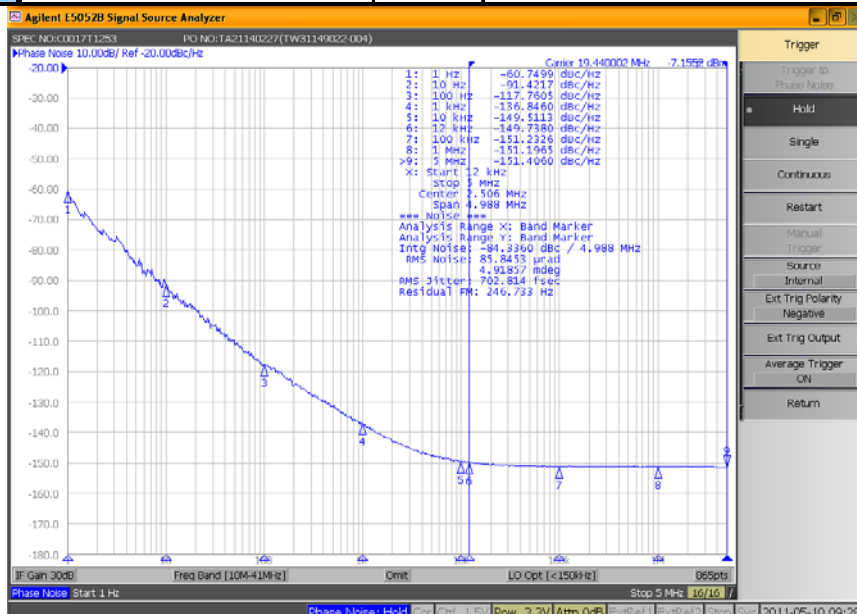
- 1] Only available with temperature range codes "H" and "C".
- 2] Frequency is recorded with two leading digits before the 'M' and 4 significant digits after the 'M' (including zeros).  
[Ex. XXMXXXX (10M0000), XXMXXXX (16M3840)]
- 3] See Electrical Characteristics for Control Voltage range per Supply Voltage selected.

**Not all performance combinations and frequencies may be available.  
Contact your local CTS Representative or CTS Customer Service for availability.**

M525 Standard Frequencies					
10.000 MHz	14.7456 MHz	16.369 MHz	20.000 MHz	26.000 MHz	38.400 MHz
12.800 MHz	16.3676 MHz	16.800 MHz	24.5535 MHz	27.000 MHz	38.880 MHz
13.000 MHz	16.367667 MHz	19.200 MHz	24.576 MHz	30.000 MHz	40.000 MHz
14.400 MHz	16.368 MHz	19.440 MHz	25.000 MHz	33.600 MHz	

**ELECTRICAL CHARACTERISTICS**

PARAMETER	SYMBOL	CONDITIONS	MIN	TYP	MAX	UNIT
Maximum Supply Voltage	V <sub>CC</sub>	-	-0.5	-	6.0	V
Maximum Control Voltage	V <sub>C</sub>	-	-0.5	-	V <sub>CC</sub>	V
Storage Temperature	T <sub>STG</sub>	-	-40	-	85	°C
Frequency Range	f <sub>0</sub>	Std frequencies listed in Ordering Information	10	-	40	MHz
Frequency Stability	Δf/f <sub>0</sub>	Frequency vs. Temperature Only	0.5, 1.0, 1.5 2.0, 2.5			± ppm
Frequency Stability vs. Initial Calibration	-	@25°C	-	-	2.0	± ppm
vs. Supply Voltage		±5% change	-	-	0.2	
vs. Load		±10% change	-	-	0.2	
vs. Reflow Shift		After 2 reflows	-	-	2.0	
vs. Aging		1st year	-	-	1.0	
		10 year	-	-	10.0	
Operating Temperature	T <sub>A</sub>	-	-10	25	60	°C
Order Code 'H'			-20		70	
Order Code 'C'			-30		85	
Order Code 'D'			-40		85	
Order Code 'I'					85	
Supply Voltage	V <sub>CC</sub>	±5%	1.71	1.8	1.89	V
Order Code 'M'			2.38	2.5	2.63	
Order Code 'N'			2.57	2.7	2.84	
Order Code 'Y'			2.66	2.8	2.94	
Order Code 'T'			2.85	3.0	3.15	
Order Code 'R'			3.14	3.3	3.47	
Order Code 'L'						
Supply Current		10.00 MHz - 25.99 MHz	-	-	2.0	mA
		26.00 MHz - 40.00 MHz	-	-	2.5	
Control Voltage		V <sub>CC</sub> = 1.8V	0.3	0.9	1.5	V
		V <sub>CC</sub> = 2.5V	0.4	1.4	2.4	
		V <sub>CC</sub> = 2.7V - 3.3V	0.5	1.5	2.5	
Frequency Tuning [VCTCXO Only]	-	Per given V <sub>C</sub> range.	5.0	-	-	± ppm
V <sub>C</sub> Input Impedance	Z <sub>V<sub>C</sub></sub>	-	500	-	-	kOhm
Output Waveform		AC coupled Clipped Sinewave				
Output Voltage Levels	V <sub>O</sub>		0.8	-	-	V <sub>p-p</sub>
Output Load	R <sub>L</sub> // C <sub>L</sub>	-	10 kOhm // 10 pF			
Start Up Time	T <sub>S</sub>	-	-	-	5	ms
Phase Noise	-	Varies based on output frequency. See example plot @ 19.44 MHz below.				dBc/Hz



**ELECTRICAL CHARACTERISTICS**

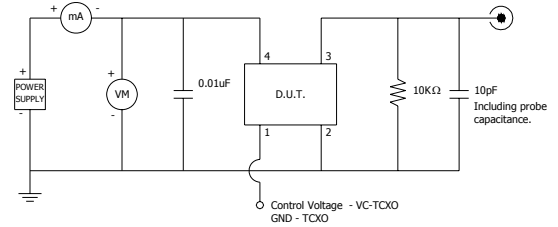
**D.U.T. PIN ASSIGNMENTS**

PIN	SYMBOL	DESCRIPTION
1	V <sub>C</sub>	Control Voltage – VCTXO [Note 1] GND - TCXO
2	GND	Circuit & Package Ground
3	Output	Clipped Sine Wave Output
4	V <sub>CC</sub>	Supply Voltage

**NOTES**

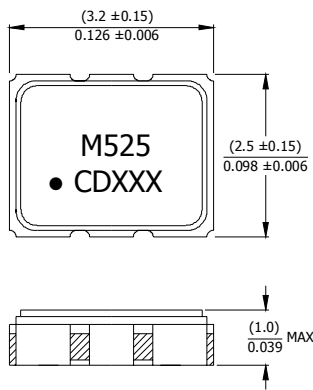
1. Connect to ground for TCXO (no AFC) option.

**TEST CIRCUIT – RL//CL LOAD**

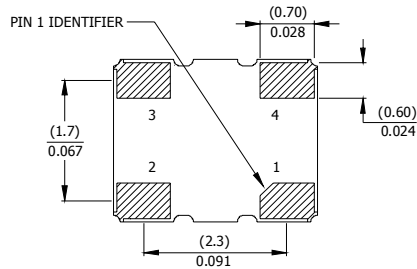


**MECHANICAL SPECIFICATIONS**

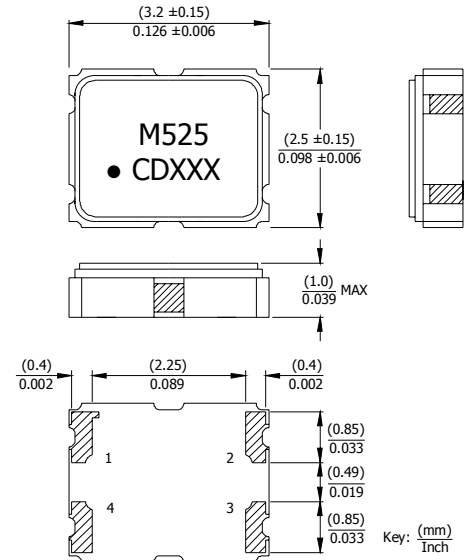
**PACKAGE DRAWING**



Package A



Key: (mm)  
Inch



Package B

Key: (mm)  
Inch

**MARKING INFORMATION**

1. M525 - CTS Model Series.
2. • - Pin 1 identifier.
3. C - CTS identifier.
4. D - Date code. See Table I for codes.
5. XXX - Frequency code. See Table II for codes.

Complete CTS part number, frequency value and date code information must appear on reel and carton labels.

**NOTES**

1. DO NOT make connections to non-labeled pins. Castellation pins may have internal connections used in the manufacturing process.
2. Termination pads (e4); barrier plating is nickel (Ni) with gold (Au) flash plate.
3. Reflow conditions per JEDEC J-STD-020, 260°C maximum.
4. Required: 1000pF capacitor between the TCXO output and input of load.

**TABLE I – DATE CODE**

YEAR		MONTH														
		JAN	FEB	MAR	APR	MAY	JUN	JUL	AUG	SEP	OCT	NOV	DEC			
2001	2005	2009	2013	2017	A	B	C	D	E	F	G	H	J	K	L	M
2002	2006	2010	2014	2018	N	P	Q	R	S	T	U	V	W	X	Y	Z
2003	2007	2011	2015	2019	a	b	c	d	e	f	g	h	j	k	l	m
2004	2008	2012	2016	2020	n	p	q	r	s	t	u	v	w	x	y	z

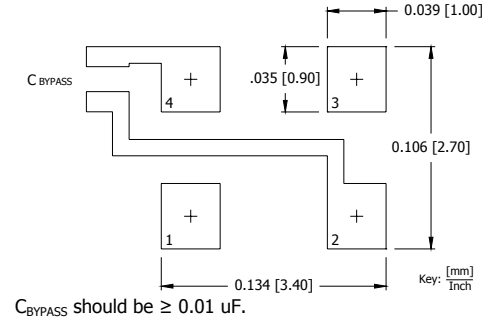
**MECHANICAL SPECIFICATIONS**

**TABLE II – FREQUENCY CODING**

FREQUENCY	MARKING CODE	FREQUENCY	MARKING CODE	FREQUENCY	MARKING CODE	FREQUENCY	MARKING CODE
10.000 MHz	100	16.367 MHz	16A	19.800 MHz	198	30.720 MHz	307
10.240 MHz	102	16.3676 MHz	16E	19.998 MHz	199	32.000 MHz	320
12.000 MHz	120	16.367667 MHz	16B	20.000 MHz	200	32.512 MHz	325
12.288 MHz	122	16.368 MHz	16C	20.480 MHz	204	32.768 MHz	327
12.800 MHz	128	16.369 MHz	16D	21.000 MHz	210	33.600 MHz	336
13.000 MHz	130	16.384 MHz	163	24.000 MHz	240	36.000 MHz	360
13.500 MHz	135	16.800 MHz	168	24.5535 MHz	24B	38.400 MHz	384
14.000 MHz	140	18.000 MHz	180	24.576 MHz	24C	38.880 MHz	388
14.400 MHz	144	18.432 MHz	184	25.000 MHz	250	40.000 MHz	400
14.7456 MHz	147	19.200 MHz	192	26.000 MHz	260		
15.360 MHz	153	19.440 MHz	194	27.000 MHz	270		
16.000 MHz	160	19.680 MHz	196	30.000 MHz	300		

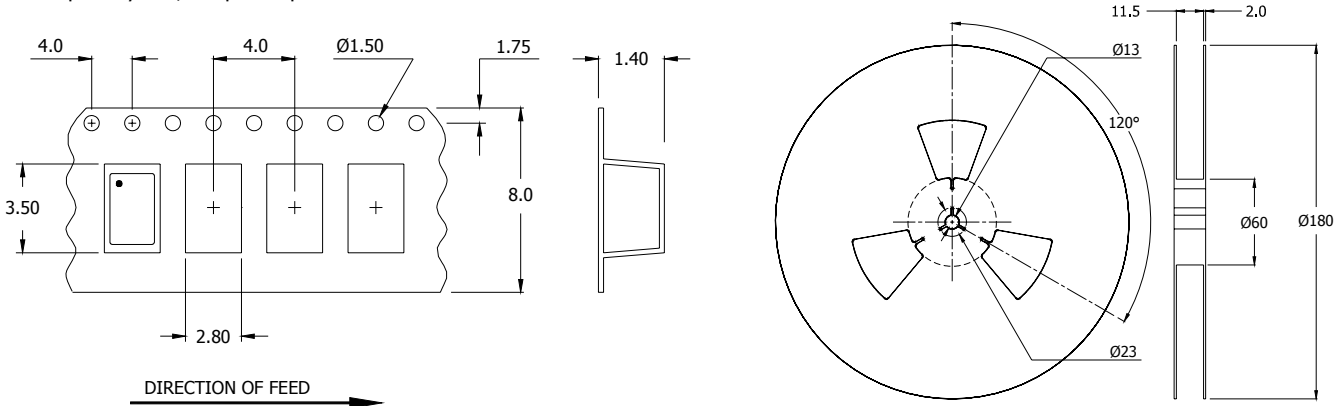
Not all frequencies listed may be available for this design.

**SUGGESTED SOLDER PAD GEOMETRY**



**PACKAGING INFORMATION**

Device quantity is 3,000 pieces per 180mm reel.



Dimensions in Millimeters

**ENVIRONMENTAL SPECIFICATIONS**

- Temperature Cycle: 400 cycles from -55°C to +125°C, 10 minute dwell at each temperature, 1 minute transfer time between temperatures.
- Mechanical Shock: 1,500g's, 0.5mS duration, 1/2 sinewave, 3 shocks each direction along 3 mutually perpendicular planes (18 total shocks).
- Sinusoidal Vibration: 0.06 inches double amplitude, 10 to 55 Hz and 20g's, 55 to 2,000 Hz, 3 cycles each in 3 mutually perpendicular planes (9 times total).
- Gross Leak: No leak shall appear while immersed in an FC40 or equivalent liquid at +125°C for 20 seconds.
- Fine Leak: Mass spectrometer leak rates less than 2x10<sup>-8</sup> ATM cc/sec air equivalent.
- Resistance to Solder Heat: Product must survive 3 reflows of +250°C maximum, 10 seconds maximum.
- High Temperature Operating Bias: 2,000 hours at +125°C, disregarding frequency shift.
- Frequency Aging: 1,000 hours at +85°C.
- Insulation Resistance: 500M Ohms @ 100V<sub>DC</sub> ±15V<sub>DC</sub>.
- Moisture Sensitivity Level: Level 1 per JEDEC J-STD-020.